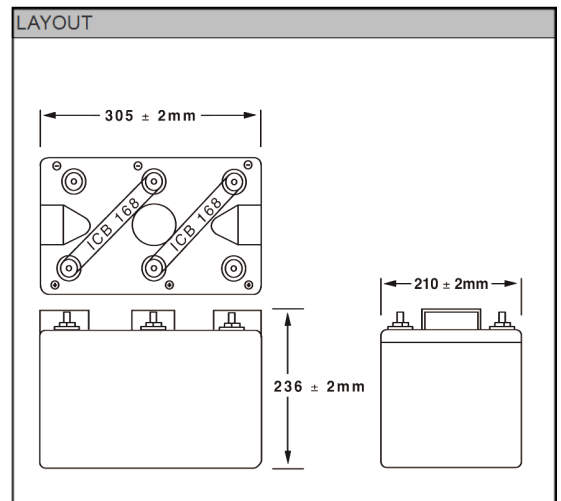


EN-Series - Valve Regulated Lead Acid Battery

EN180-6

| SPECIFICATIONS | | |
|---|----------------|------------|
| Nominal voltage | 6 | V |
| 10-hr rate Capacity to 5.4V at 20°C | 180 | Ah |
| 10-min rate Constant Power to 1.6V/cell at 20°C | 800 | Watts |
| DIMENSIONS | | |
| Length | 305 (±1) | mm |
| Width | 210 (±1) | mm |
| Height | 240 (±1) | mm |
| (height over terminals) | N/A | mm |
| Mass (typical) | 38 | kg |
| TERMINAL TYPE | | |
| Threaded terminal - (M=Male or F=Female) | M8 (F) | mm |
| Torque | 6 (±0.5) | Nm |
| OPERATING TEMPERATURE RANGE | | |
| Storage (in fully charged condition) | -20°C to +50°C | |
| Charge | -15°C to +50°C | |
| Discharge | -20°C to +60°C | |
| STORAGE | | |
| Capacity loss per month at 20°C (approx) | 3 | % |
| CASE MATERIAL | | |
| Flame retardant | ABS (UL94:V0) | |
| CHARGE VOLTAGE | | |
| Float charge voltage at 20°C | 6.78 (±1%) | V |
| | 2.26 (±1%) | V/cell |
| Float Charge voltage temperature correction factor (for variations from the standard 20°C) | -3 | mV/cell/°C |
| Boost charge at 20°C | 7.2 (±2%) | V |
| | 2.40 (±2%) | V/cell |
| Boost Charge voltage temperature correction factor (for variations from the standard 20°C) | -4 | mV/cell/°C |
| CHARGE CURRENT | | |
| Float charge current limit | No limit | A |
| Boost charge current limit | 45 | A |
| MAXIMUM DISCHARGE CURRENT | | |
| 1 second | 1500 | A |
| 1 minute | 960 | A |
| SHORT-CIRCUIT CURRENT & INTERNAL RESISTANCE (according to EN IEC 60896-21) | | |
| Internal resistance | 2.15 | m |
| Short-Circuit current | 3235 | A |
| IMPEDANCE | | |
| Measured at 1 kHz | 1.7 | m |
| PERFORMANCE & CHARACTERISTICS | | |
| Refer to the technical manual | EN | |
| DESIGN LIFE | | |
| EUROBAT Classification: High Performance | - | |
| EUROBAT Classification: Long Life | 12+ | years |
| Yuasa design life @ 20°C | 12 | years |
| SAFETY | | |
| Installation | | |
| Can be installed and operated in any orientation except permanently inverted | | |
| Handles | | |
| Batteries must not be suspended by their handles (where fitted) | | |
| Vent valves | | |
| Each cell is fitted with a low pressure release valve to allow gasses to escape and then reseal. | | |
| Gas Release | | |
| VRLA Batteries release hydrogen gas which can form explosive mixtures in air. Do not place inside a sealed container | | |
| Recycling | | |
| YUASA's VRLA batteries must be recycled at the end of life in accordance with local and national laws and regulations | | |



3RD PARTY CERTIFICATIONS

ISO 9001 - Quality Management Systems
 ISO 14001 - Environmental Management Systems
 EN 18001 - OHSAS Management Systems
 UNDERWRITERS LABORATORIES Inc.



STANDARDS

IEC61056
 IEC60896-21/22



ALL DATA IS SUBJECT TO CHANGE WITHOUT NOTICE
 Issue No.: V.3 / Issue Date: March 2014



YUASA BATTERY SALES UK LTD.
 Unit 13, Hunts Rise
 South Marston Industrial Estate
 SN3 4TG
 UK